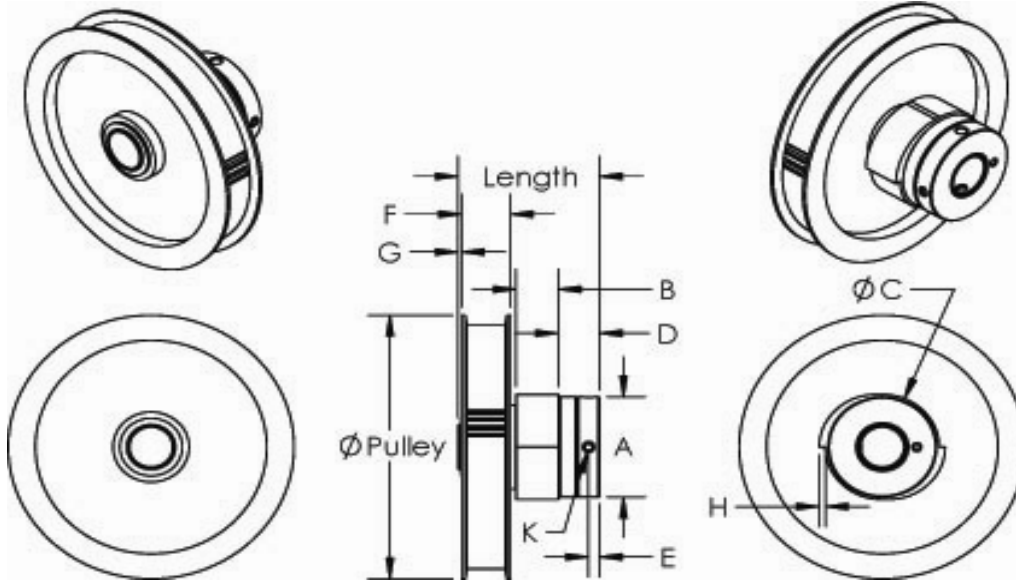


1868



Tiny-Clutch 1868 SP-Series Wrap Spring Clutch Federal APD # 30-4117

Specifications:

Options:

Max Torque	50 in/lbs	Bore	1/2"
Length	1.63 in	Mounting	Set Screw & Cross Hole
Pulley	3.29 in	Drive	Counter Clockwise
Dimension A	1.25 in	Input	Hub
Dimension B	0.49 in	Function	Indexing
Dimension C	1.31 in	# of Trip Lugs	2 Lugs (Half Revolution)
Dimension D	0.47 in	Hub Type	48T Pulley (48XL037DF)
Dimension E	0.12 in		
Dimension F	0.56 in		
Dimension G	0.04 in		
Dimension H	0.07 in		
Dimension K	8-32 Set Screw & 1/8" CrossHole		

Tiny-Clutch | Helander Products, Inc.

www.TinyClutch.com

TinyClutch@HelanderProducts.com

860.669.7953