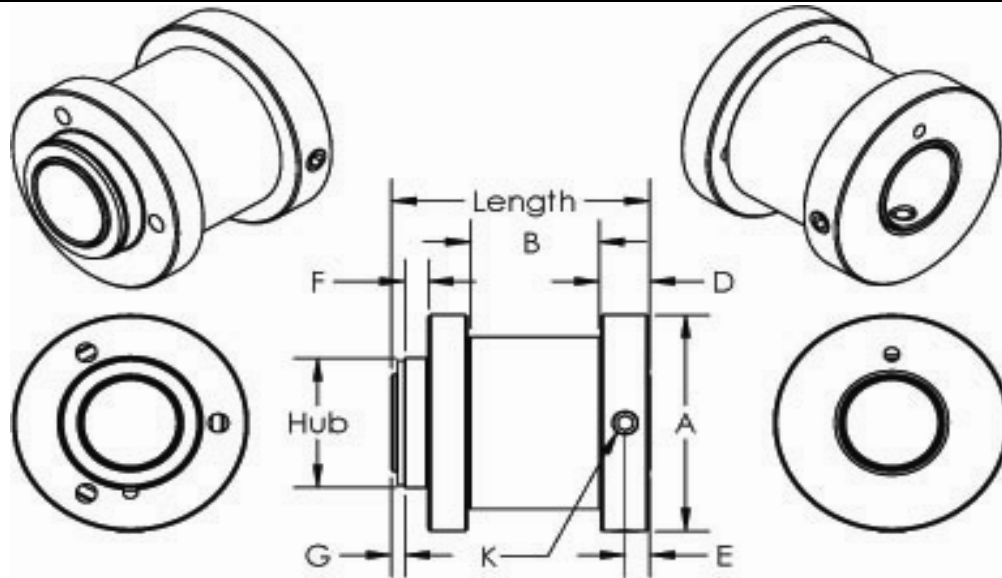


2448



Tiny-Clutch 2448 SP-Series Wrap Spring Clutch

Specifications:

Options:

Max Torque	50 in/lbs	Bore	1/2"
Length	1.38 in	Mounting	Set Screw
Hub	0.75 in	Drive	Clockwise, Counter Clockwise
Dimension A	1.25 in	Input	Hub, Shaft
Dimension B	0.70 in	Function	Overrunning
Dimension D	0.27 in	# of Trip Lugs	0 Lugs
Dimension E	0.13 in	Hub Type	3-Hole Drum (8-32 Holes On .938 B.C.)
Dimension F	0.12 in		
Dimension G	0.07 in		
Dimension K	8-32 Set Screw X2		

Tiny-Clutch | Helander Products, Inc.

www.TinyClutch.com

TinyClutch@HelanderProducts.com

860.669.7953