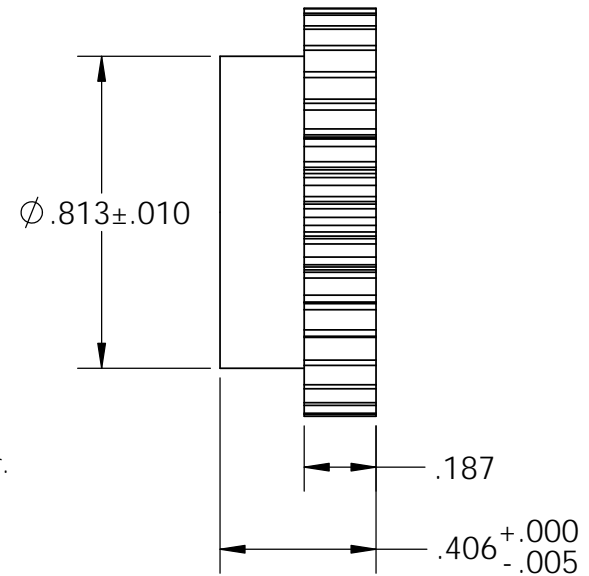
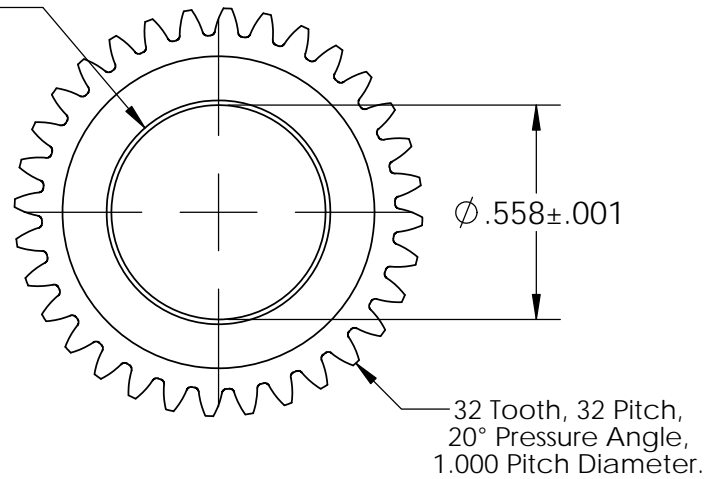


Chamfer .005-.020
Both Sides.



REV	DESCRIPTION	DATE	UNLESS OTHERWISE SPECIFIED:	32T, 20°PA Gear			Tiny-Clutch Helander Products, Inc. Clinton, Connecticut www.TinyClutch.com P = 860-669-7953 F = 860-669-6756		
A	Redraw.	9/27/12	DIMENSIONS ARE IN INCHES TOLERANCES: FRACTIONAL $\pm .010$ TWO PLACE DECIMAL $\pm .010$ THREE PLACE DECIMAL $\pm .005$	DRAWN BY: P3	SIZE	DWG. NO.	REV		
					A	1313	A		
			PROPRIETARY AND CONFIDENTIAL THE INFORMATION CONTAINED IN THIS DRAWING IS THE SOLE PROPERTY OF HELANDER PRODUCTS, INC. ANY REPRODUCTION IN PART OR AS A WHOLE WITHOUT THE WRITTEN PERMISSION OF HELANDER PRODUCTS, INC. IS PROHIBITED.	MATERIAL: Steel	SCALE: 2:1	DATE: 9/27/2012	SHEET 1 OF 1		