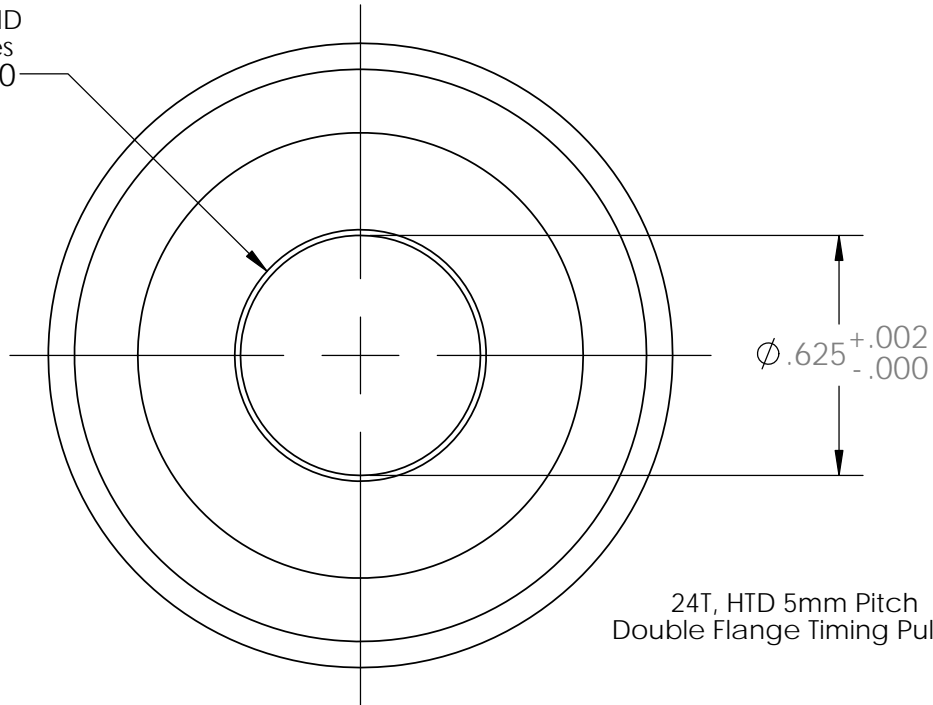
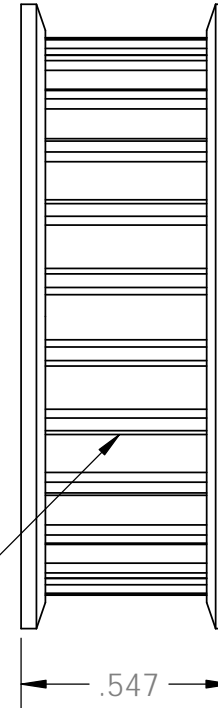


Chamfer ID
Both Sides
.010-.020



24T, HTD 5mm Pitch
Double Flange Timing Pulley.



Make From Stock Drive # A 6A25M024DF0908 Or Equal.

Finish: Clear Anodized.

REV	DESCRIPTION	DATE	UNLESS OTHERWISE SPECIFIED:	24T, 5mmP Pulley			Tiny-Clutch Helander Products, Inc. Clinton, Connecticut www.TinyClutch.com P = 860-669-7953 F = 860-669-6756		
A	Redraw & Add Chamfer To ID.	9/25/12	DIMENSIONS ARE IN INCHES TOLERANCES: FRACTIONAL $\pm .010$ TWO PLACE DECIMAL $\pm .010$ THREE PLACE DECIMAL $\pm .005$	DRAWN BY: P3	SIZE	DWG. NO.	REV		
					A	2191	A		
			PROPRIETARY AND CONFIDENTIAL THE INFORMATION CONTAINED IN THIS DRAWING IS THE SOLE PROPERTY OF HELANDER PRODUCTS, INC. ANY REPRODUCTION IN PART OR AS A WHOLE WITHOUT THE WRITTEN PERMISSION OF HELANDER PRODUCTS, INC. IS PROHIBITED.	MATERIAL: Aluminum	SCALE: 2:1	DATE: 9/25/2012	SHEET 1 OF 1		