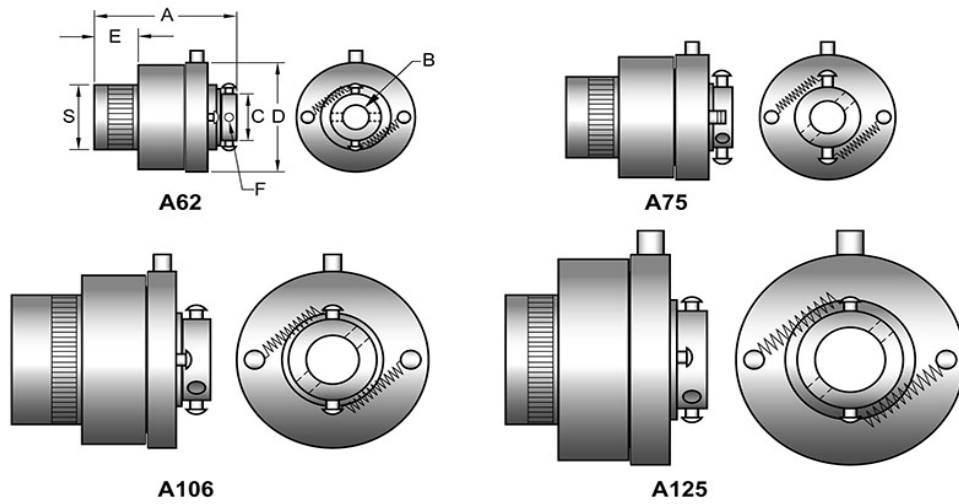


A106



Tiny-Clutch A106 A-Series Roller Clutch

Specifications:		Options:	
Max Torque	50 in/lbs	Bore	3/8", 10mm
Max Speed	4000 rpm	Mounting	Cross Hole
Dimension A	1.48 in	Drive	Clockwise, Counter Clockwise
Dimension C	0.63 in	Input	Hub
Dimension D	1.37 in	# of Trip Lugs	1, 2, 3, 4, 5, 6, 8 Lugs
Dimension E	0.50 in	Hub Type	Knurled Drum, Plain Drum
Dimension S	1.000 in		
	0.998 in		

Tiny-Clutch | Helander Products, Inc.