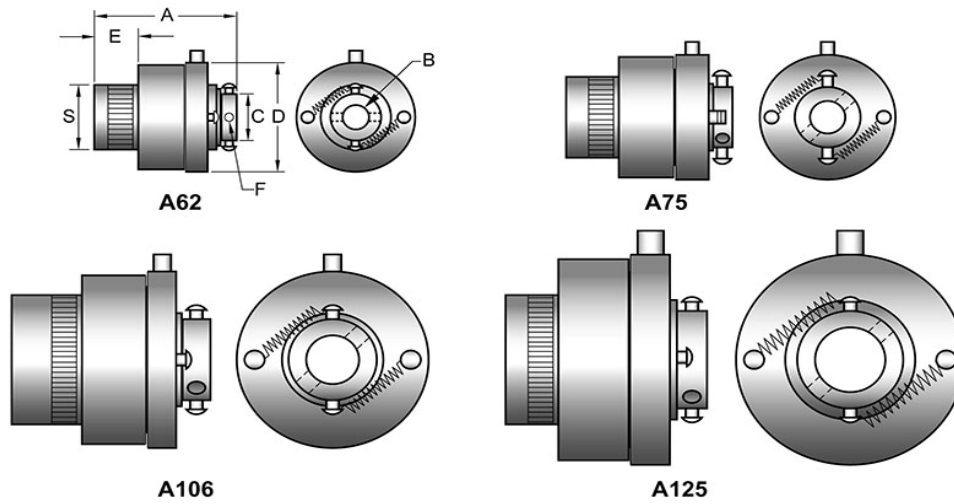


A125



Tiny-Clutch A125 A-Series Roller Clutch

Specifications:		Options:	
Max Torque	80 in/lbs	Bore	1/2", 12mm, 13mm
Max Speed	2500 rpm	Mounting	Cross Hole
Dimension A	1.55 in	Drive	Clockwise, Counter Clockwise
Dimension C	0.75 in	Input	Hub
Dimension D	1.63 in	# of Trip Lugs	1, 2, 3, 4, 5, 6, 8 Lugs
Dimension E	0.37 in	Hub Type	Knurled Drum, Plain Drum
Dimension S	1.000 in		
	0.998 in		

Tiny-Clutch | Helander Products, Inc.