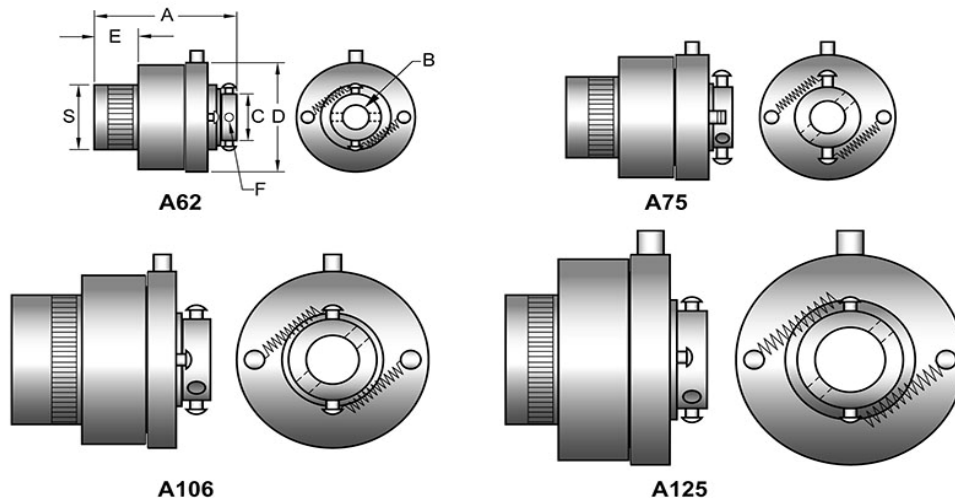


# A62



## Tiny-Clutch A62 A-Series Roller Clutch

Specifications:		Options:	
Max Torque	15 in/lbs	Bore	3/16", 4mm, 5mm
Max Speed	7000 rpm	Mounting	Cross Hole
Dimension A	1.00 in	Drive	Clockwise, Counter Clockwise
Dimension C	0.36 in	Input	Hub
Dimension D	0.84 in	# of Trip Lugs	1, 2, 3, 4, 5, 6 Lugs
Dimension E	0.31 in	Hub Type	Knurled Drum, Plain Drum
Dimension S	0.500 in		
	0.498 in		

Tiny-Clutch | Helander Products, Inc.

[www.TinyClutch.com](http://www.TinyClutch.com)

[TinyClutch@HelanderProducts.com](mailto:TinyClutch@HelanderProducts.com)

860.669.7953