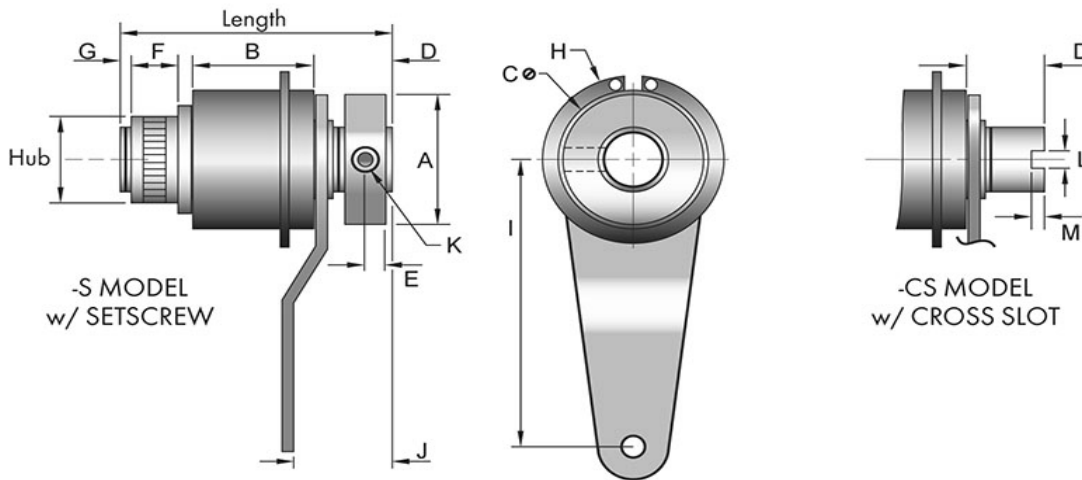


AD50



Tiny-Clutch AD50 AD-Series Autodisconnect Clutch

Specifications:

Options:

Max Torque	15 in/lbs	Bore	1/8", 3/16", 1/4", 5/16", 3mm, 4mm, 5mm, 6mm, 7mm, 8mm
Length	1.45 in		Mounting
Hub	0.50 in	Drive	
Dimension A	0.75 in *		Input
Dimension B	0.65 in	Hub Type	
Dimension C	0.75 in		
Dimension D	0.42 in		
Dimension E	0.12 in *		
Dimension F	0.25 in		
Dimension G	0.06 in		
Dimension H	0.95 in		
Dimension I	1.50 in		
Dimension J	0.53 in		
Dimension L	0.101 in **		
Dimension M	0.70 in **		

* N/A For -CS ** For -CS Only

Tiny-Clutch | Helander Products, Inc.

www.TinyClutch.com

TinyClutch@HelanderProducts.com

860.669.7953