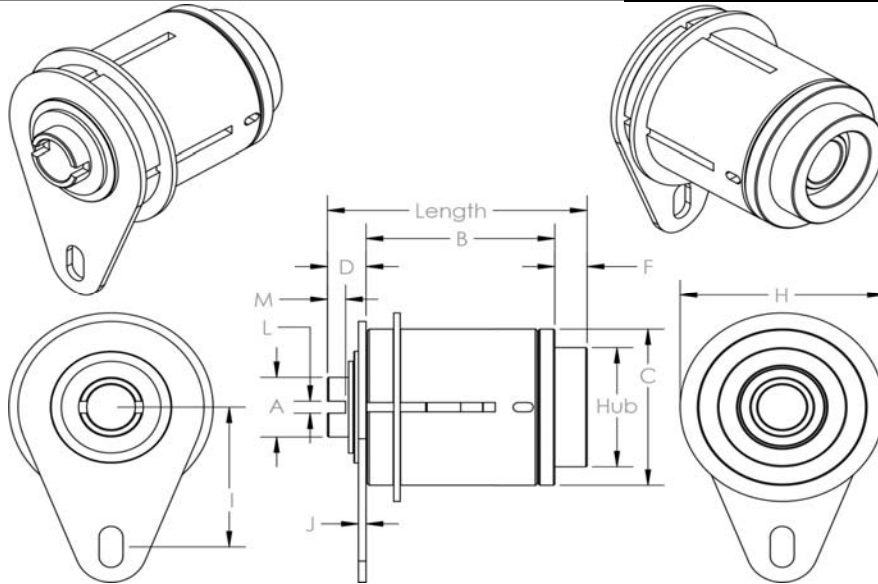


AD93SL



Tiny-Clutch AD93SL AD-Series Autodisconnect Clutch

Specifications:		Options:	
Max Torque	60 in/lbs	Bore	5/16", 3/8", 8mm, 9mm, 10mm
Length	2.01 in	Mounting	Cross Slot,
Hub	1.00 in	Drive	Clockwise, Counter Clockwise
Dimension A	0.50 in	Input	Hub, Shaft
Dimension B	1.46 in	Hub Type	Knurled Drum, Plain Drum
Dimension C	1.31 in		
Dimension D	0.30 in		
Dimension F	0.25 in		
Dimension H	1.58 in		
Dimension I	1.17 in		
Dimension J	0.06 in		
Dimension L	0.10 in		
Dimension M	0.14 in		

Tiny-Clutch | Helander Products, Inc.

www.TinyClutch.com

TinyClutch@HelanderProducts.com

860.669.7953