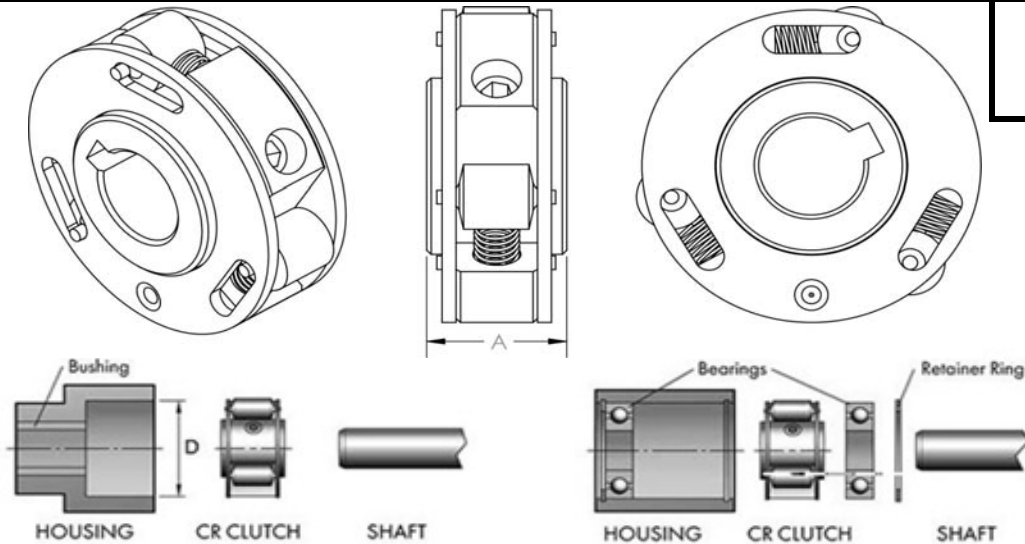


CR462



For best performance, race should be concentric with shaft & bearing to within .002 T.I.R.

Tiny-Clutch CR462 CR-Series Roller Clutch

Specifications:		Options:	
Max Torque	4 in/lbs	Bore	1/8", 3/16", 1/4"
Max Speed	7000 rpm	Mounting	Setscrew, Keyway w/ Set Screw
Dimension A	0.25 in	Add-Ons	Stainless Steel
Dimension D	0.626 in		
	0.625 in		

Tiny-Clutch | Helander Products, Inc.

www.TinyClutch.com

TinyClutch@HelanderProducts.com

860.669.7953