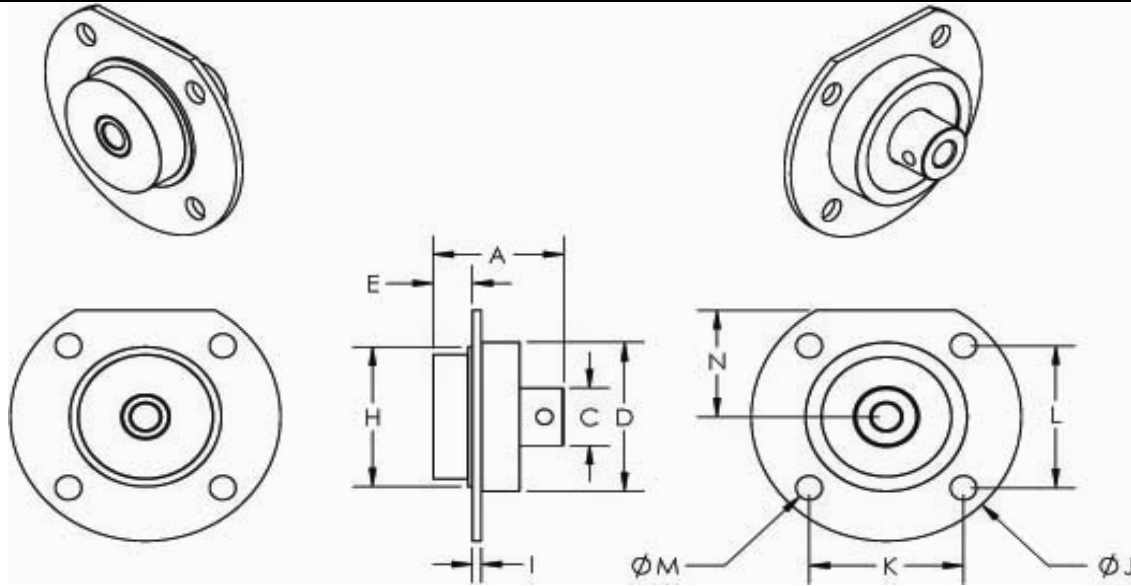


# D75PM



## Tiny-Clutch D75PM D-Series Roller Clutch

Specifications:		Options:	
Max Torque	10 in/lbs	Bore	3/16", 1/4", 5/16", 4mm, 5mm, 6mm, 7mm, 8mm
Max Speed	6000 rpm		Mounting
Dimension A	0.85 in	Drive	
Dimension C	0.41 in		Keyway w/ Set Screw
Dimension D	1.05 in		
Dimension E	0.25 in		
Dimension H	0.99 in		
Dimension I	0.06 in		
Dimension J	1.75 in		
Dimension K	1.00 in		
Dimension L	1.00 in		
Dimension M	0.17 in		
Dimension N	0.75 in		

Tiny-Clutch | Helander Products, Inc.

[www.TinyClutch.com](http://www.TinyClutch.com)

[TinyClutch@HelanderProducts.com](mailto:TinyClutch@HelanderProducts.com)

860.669.7953