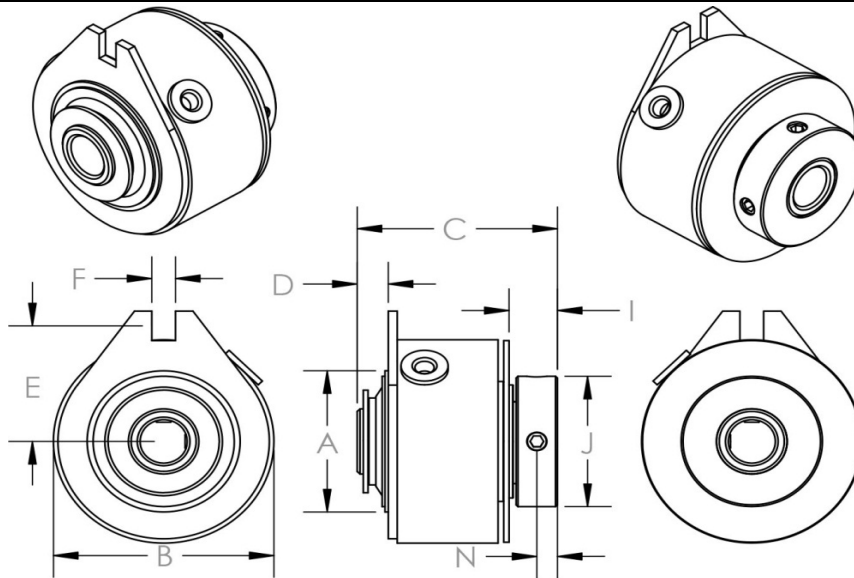


M50BR



Tiny-Clutch M50BR M-Series Magnetic Spring Brake

Specifications:

Max Torque	25 in/lbs
Max Speed	3000 rpm
Dimension A	0.81 in
Dimension B	1.17 in
Dimension C	1.06 in
Dimension D	0.17 in
Dimension E	0.67 in
Dimension F	0.13 in
Dimension I	0.23-0.28 in
Dimension J	0.75in
Dimension N	0.11 in

Options:

Bore	1/8", 3/16", 1/4", 5/16", 3mm, 4mm, 5mm, 6mm, 7mm, 8mm
Mounting	Set Screw, CrossHole,
Drive	Set Screw & Cross Hole
Input Voltage	Clockwise, Counter Clockwise
	Shaft
	6VDC, 12VDC, 24VDC, 90VDC