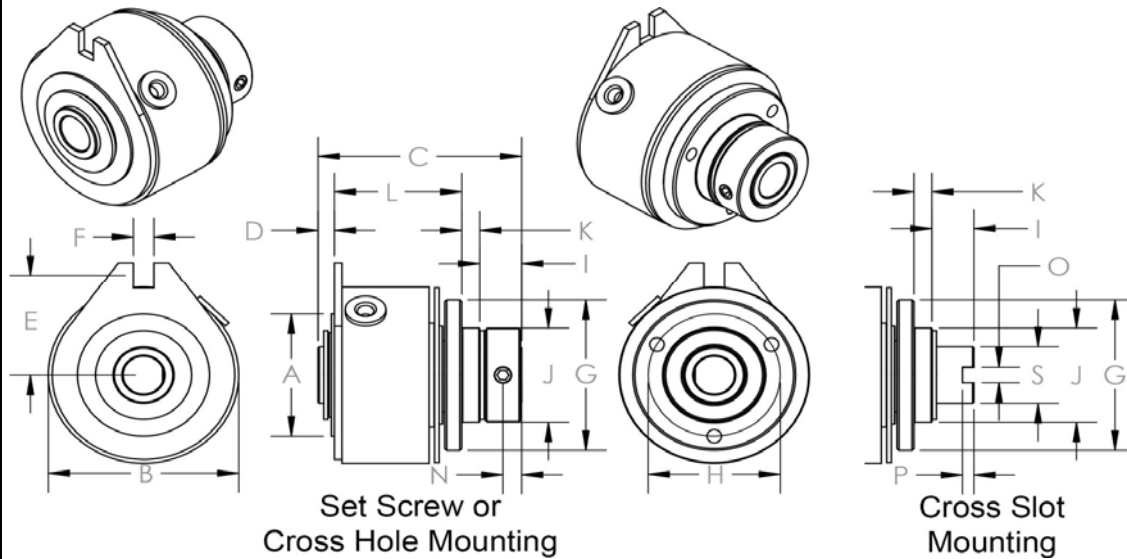


# M50E



## Tiny-Clutch M50E M-Series Magnetic Spring Clutch

### Specifications:

### Options:

<b>Max Torque</b>	25 in/lbs		
<b>Max Speed</b>	3000 rpm	<b>Bore</b>	3/16", 1/4", 5/16", 4mm, 5mm, 6mm, 7mm, 8mm
<b>Dimension A</b>	0.81 in	<b>Mounting</b>	Set Screw, Cross Hole, Cross Slot, Set Screw & Cross Hole
<b>Dimension B</b>	1.17 in	<b>Drive</b>	Clockwise, Counter Clockwise
<b>Dimension C</b>	1.25 in	<b>Voltage</b>	6VDC, 12VDC, 24VDC, 90VDC
<b>Dimension D</b>	0.10 in	<b>Hub Type</b>	3-Hole Drum
<b>Dimension E</b>	0.67 in		
<b>Dimension F</b>	0.13 in		
<b>Dimension G</b>	1.00 in		
<b>Dimension H</b>	0.812 in B.C.		
<b>Dimension I</b>	0.26 in		
<b>Dimension J</b>	0.625 in		
<b>Dimension K</b>	0.11 in		
<b>Dimension L</b>	0.78 in		
<b>Dimension N</b>	0.12 in *		
<b>Dimension O</b>	0.101 in **		
<b>Dimension P</b>	0.07 in **		
<b>Dimension S</b>	0.375 in **		

\* N/A For -CS    \*\* For -CS Only

Tiny-Clutch | Helander Products, Inc.

www.TinyClutch.com

TinyClutch@HelanderProducts.com

860.669.7953