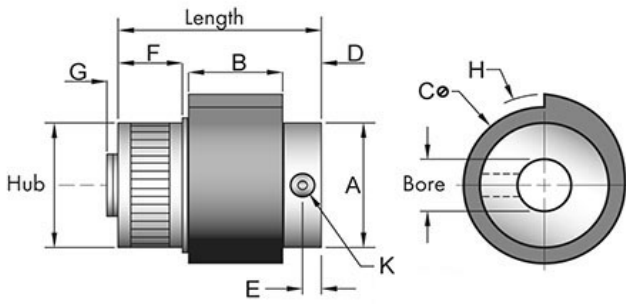
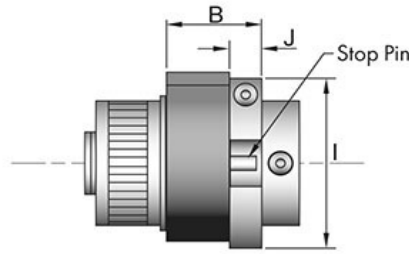


SP100C



STANDARD MODEL



ADJUSTING COLLAR OR
OVERTRAVEL STOP

Tiny-Clutch SP100C SP-Series Wrap Spring Clutch

Specifications:

Options:

Max Torque	250 in/lbs	Bore	3/8", 7/16", 1/2", 9/16", 5/8", 9mm,
Length	2.04 in		10mm, 11mm, 12mm, 13mm, 14mm,
Hub	1.50 in	Mounting	15mm, 16mm
Dimension A	1.40 in	Drive	Set Screw, Cross Hole,
Dimension B	1.00 in	Input	Set Screw & Cross Hole
Dimension C	1.50 in	Function	Clockwise, Counter Clockwise
Dimension D	0.33 in	# of Trip Lugs	Hub, Shaft
Dimension E	0.16 in	Hub Type	Overrunning *, On-Off **, Indexing **
Dimension F	0.56 in	Add-Ons	0, 1, 2, 3, 4, 5, 6, 8, 10, 12 Lugs
Dimension G	0.10 in		Knurled Drum, Plain Drum
Dimension H	0.87 in		Adjusting Clamp ***
Dimension I	1.50 in		Over-Travel Stop ***
Dimension J	0.27 in		

* Requires 0 Lugs

** Requires 1 or more Lugs

*** Only available with indexing

Tiny-Clutch | Helander Products, Inc.

www.TinyClutch.com

TinyClutch@HelanderProducts.com

860.669.7953