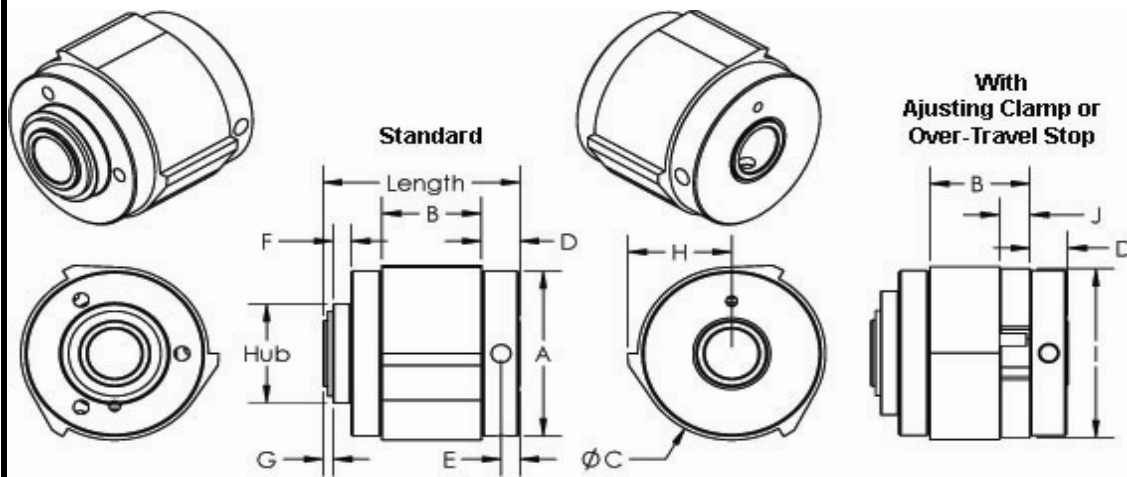


SP75D



Tiny-Clutch SP75D SP-Series Wrap Spring Clutch

Specifications:

Options:

Max Torque	50 in/lbs	Bore	5/16", 3/8", 8mm, 9mm, 10mm
Length	1.38 in	Mounting	Set Screw, Cross Hole,
Hub	0.75 in	Drive	Set Screw & Cross Hole
Dimension A	1.25 in	Input	Clockwise, Counter Clockwise
Dimension B	0.70 in	Function	Hub, Shaft
Dimension C	1.31 in	# of Trip Lugs	Overrunning *, On-Off **, Indexing **
Dimension D	0.27 in	Hub Type	0, 1, 2, 3, 4, 5, 6, 8, 10, 12 Lugs
Dimension E	0.13 in	Add-Ons	3-Hole Drum
Dimension F	0.12 in		Adjusting Clamp ***
Dimension G	0.07 in		Over-Travel Stop ***
Dimension H	0.72 in		
Dimension I	1.28 in		
Dimension J	0.21 in		

* Requires 0 Lugs

** Requires 1 or more Lugs

*** Only available with indexing

Tiny-Clutch | Helander Products, Inc.

www.TinyClutch.com

TinyClutch@HelanderProducts.com

860.669.7953