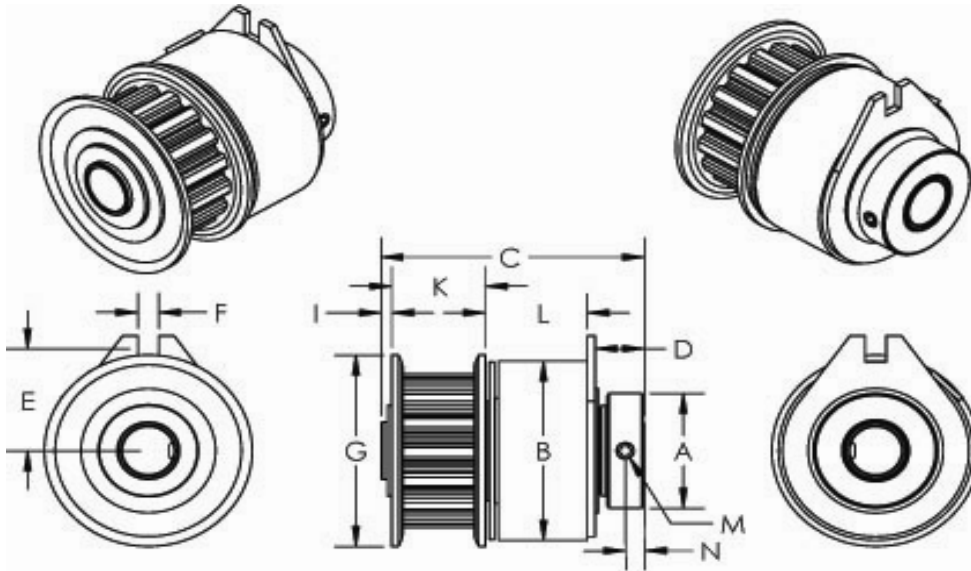


# 2393



## Tiny-Clutch 2393 M-Series Magnetic Spring Clutch

### Specifications:

### Options:

<b>Max Torque</b>	25 in/lbs	<b>Bore</b>	5/16"
<b>Max Speed</b>	3000 rpm	<b>Mounting</b>	Set Screw
<b>Dimension A</b>	0.75 in	<b>Drive</b>	Counter Clockwise
<b>Dimension B</b>	1.17 in	<b>Voltage</b>	90VDC
<b>Dimension C</b>	1.58 in	<b>Hub Type</b>	16T, 1/5P Pulley
<b>Dimension D</b>	0.30 in		
<b>Dimension E</b>	0.67 in		
<b>Dimension F</b>	0.13 in		
<b>Dimension G</b>	1.25 in		
<b>Dimension I</b>	0.06 in		
<b>Dimension K</b>	0.56 in		
<b>Dimension L</b>	0.61 in		
<b>Dimension M</b>	6-32 Set Screw		
<b>Dimension N</b>	0.12 in		

Tiny-Clutch | Helander Products, Inc.

[www.TinyClutch.com](http://www.TinyClutch.com)

[TinyClutch@HelanderProducts.com](mailto:TinyClutch@HelanderProducts.com)

860.669.7953