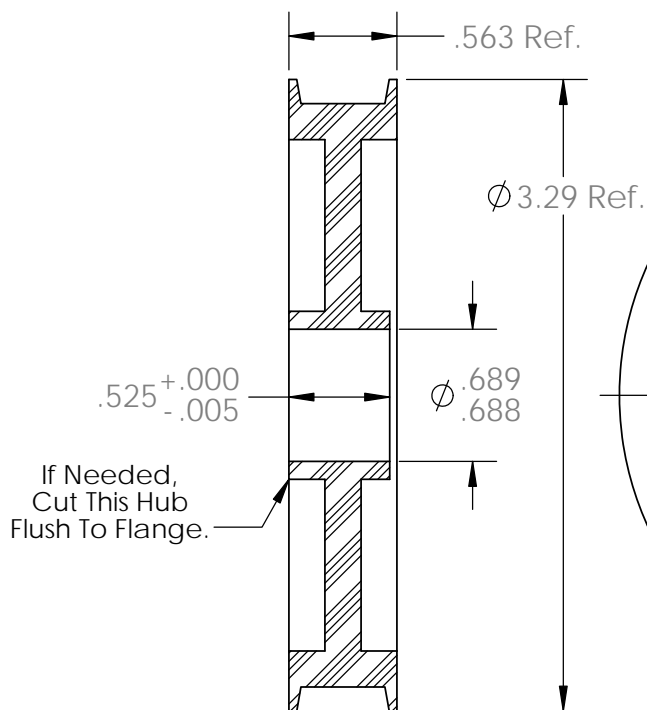
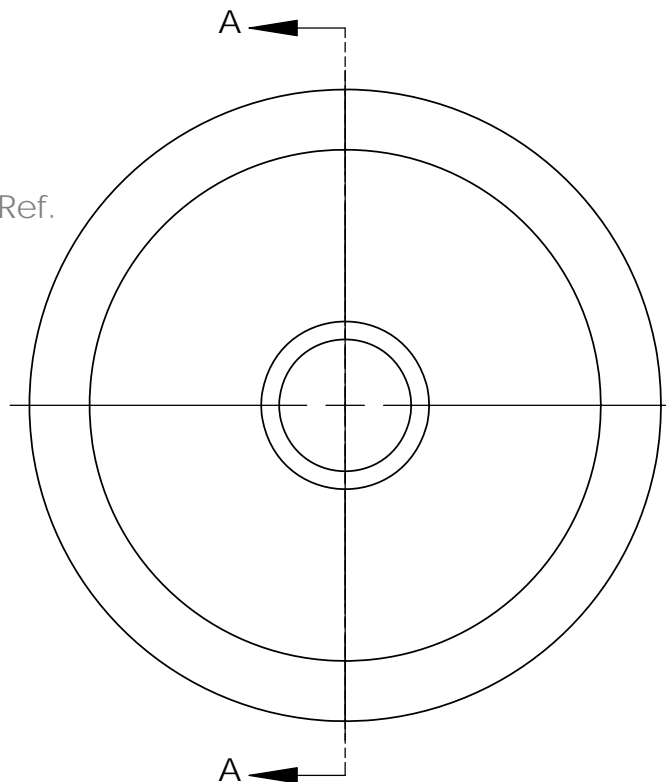


Make From 48XL037DF



SECTION A-A



REV	DESCRIPTION	DATE	UNLESS OTHERWISE SPECIFIED:	<h1>Pulley 48T</h1>			<h2>Tiny-Clutch</h2>		
D	Redraw, Without Machining Steps, (Vary Based On Brand).	9/11/12	DIMENSIONS ARE IN INCHES TOLERANCES: FRACTIONAL $\pm .010$ TWO PLACE DECIMAL $\pm .010$ THREE PLACE DECIMAL $\pm .005$				<b>Helander Products, Inc.</b> Clinton, Connecticut <a href="http://www.TinyClutch.com">www.TinyClutch.com</a> P = 860-669-7953   F = 860-669-6756		
			<b>PROPRIETARY AND CONFIDENTIAL</b> THE INFORMATION CONTAINED IN THIS DRAWING IS THE SOLE PROPERTY OF HELANDER PRODUCTS, INC. ANY REPRODUCTION IN PART OR AS A WHOLE WITHOUT THE WRITTEN PERMISSION OF HELANDER PRODUCTS, INC. IS PROHIBITED.	DRAWN BY: P3 MATERIAL: Lexan	SIZE <b>A</b>	DWG. NO. <b>1837</b>	REV <b>D</b>	SCALE: 1:1 DATE: 9/11/2012 SHEET 1 OF 1	