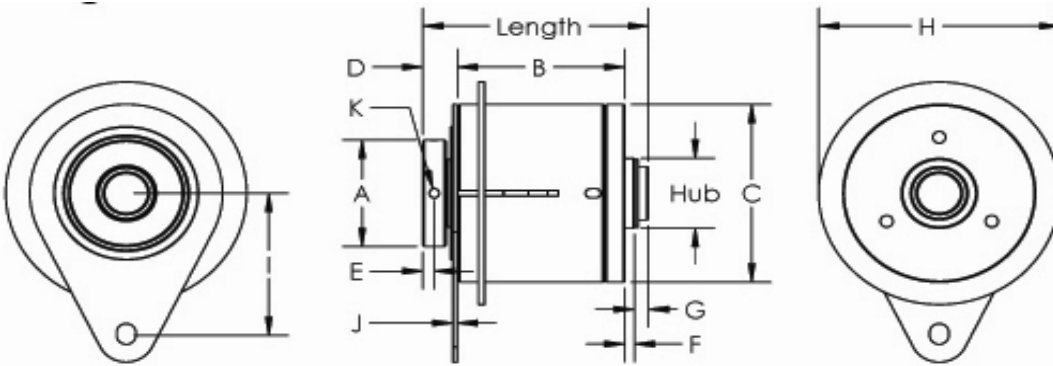


# AD200A



## Tiny-Clutch AD200A AD-Series Autodisconnect Clutch

Specifications:		Options:	
Max Torque	350 in/lbs	Bore	3/8", 7/16", 1/2", 9/16", 5/8", 10mm
Length	2.93 in		11mm, 12mm, 13mm, 14mm, 15mm,
Hub	0.98 in		16mm
Dimension A	1.50 in	Mounting	Set Screw, CrossHole,
Dimension B	2.15 in		Set Screw & Cross Hole,
Dimension C	2.50 in	Drive	Keyway w/ Set Screw
Dimension D	0.45 in	Input	Clockwise, Counter Clockwise
Dimension E	0.15 in	Hub Type	Hub, Shaft
Dimension F	0.12 in		3-Hole Drum
Dimension G	0.18 in		
Dimension H	3.13 in		
Dimension I	2.00 in		
Dimension J	0.06 in		

Tiny-Clutch | Helander Products, Inc.